

DD 1000

Schematics

Klark Teknik Building
Walter Nash Road
Kidderminster
Worcestershire
DY11 7HJ

Tel: +44 (0) 1562 741515

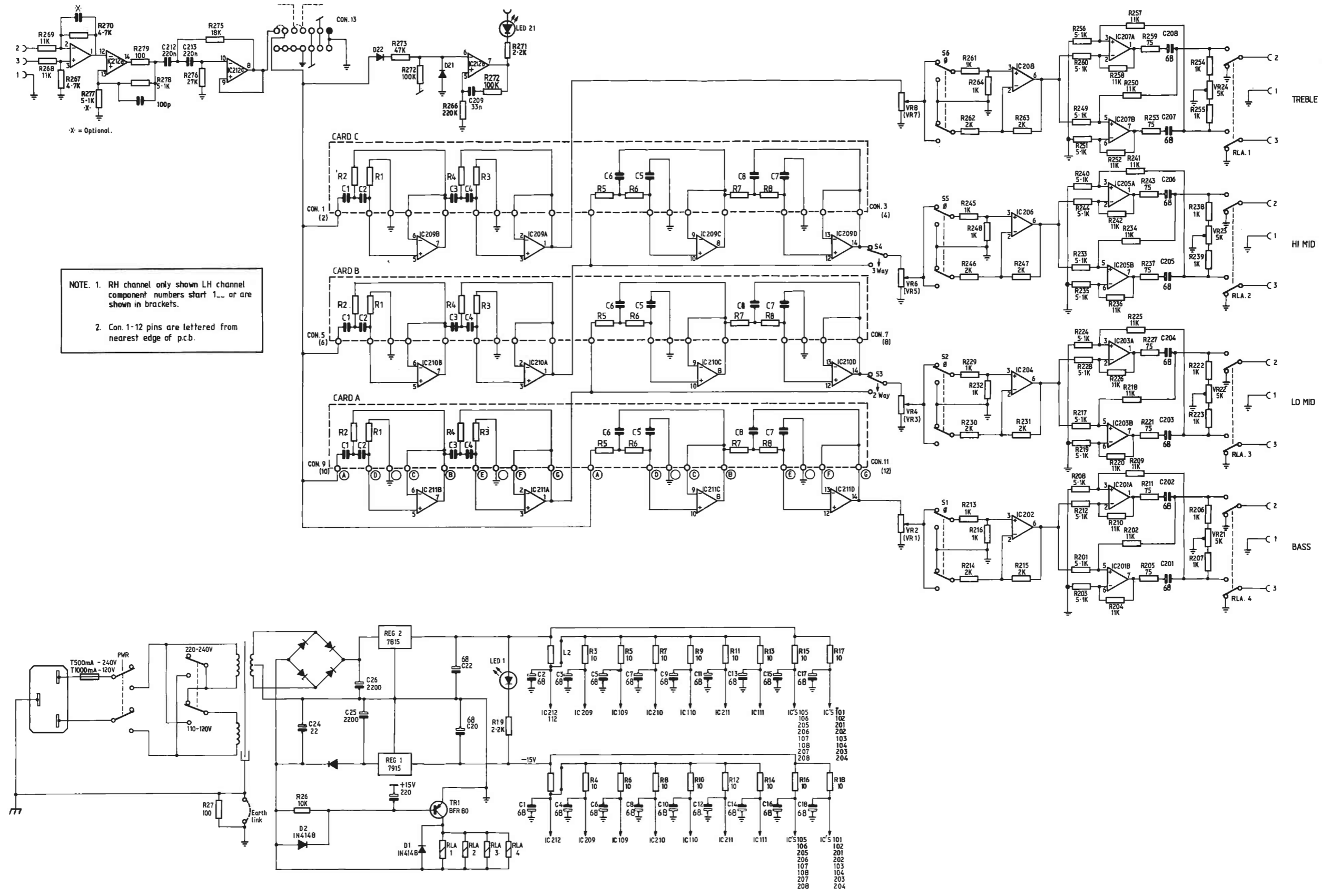
Fax: +44 (0) 1562 745371

Email: info@uk.telex.com

Website: www.ddaconsoles.com

DD 1000 Schematics
© Telex Communications (UK) Limited

In line with the company's policy of continual improvement, specifications and function maybe subject to change without notice. This Operator Manual was correct at the time of writing. E&OE.



NOTE. 1. RH channel only shown LH channel component numbers start 1... or are shown in brackets.
2. Con. 1-12 pins are lettered from nearest edge of p.c.b.

DD1000 Circuit Diagram