

DCM 224V

Volume 2 Schematics

Klark Teknik Building
Walter Nash Road
Kidderminster
Worcestershire
DY11 7HJ

Tel: +44 (0) 1562 741515

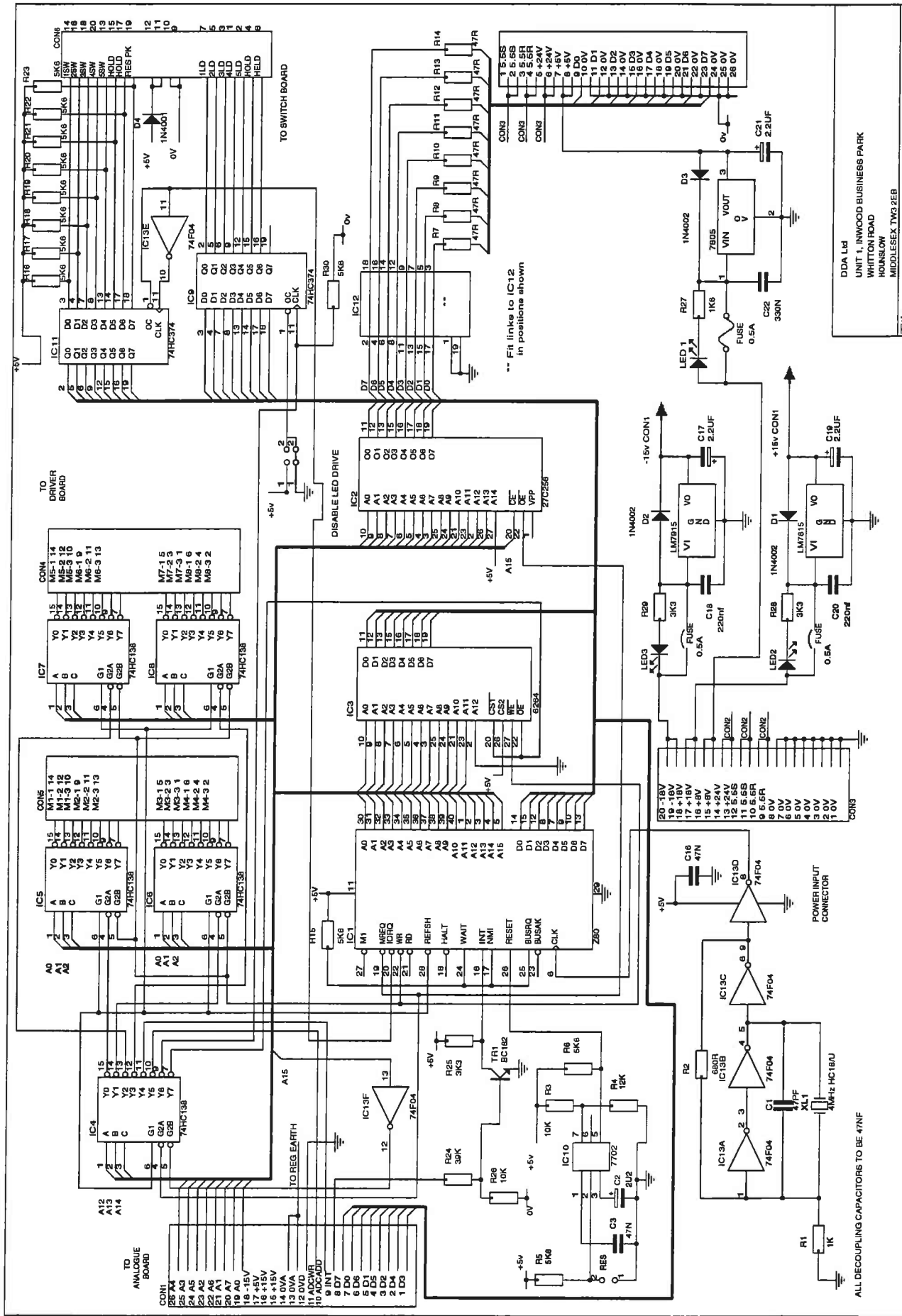
Fax: +44 (0) 1562 745371

Email: info@uk.telex.com

Website: www.ddaconsole.com

DCM 224V Volume 2 Schematics
© Telex Communications (UK) Limited

In line with the company's policy of continual improvement, specifications and function maybe subject to change without notice. This Operator Manual was correct at the time of writing. E&OE.



*** Fit links to IC12 in positions shown

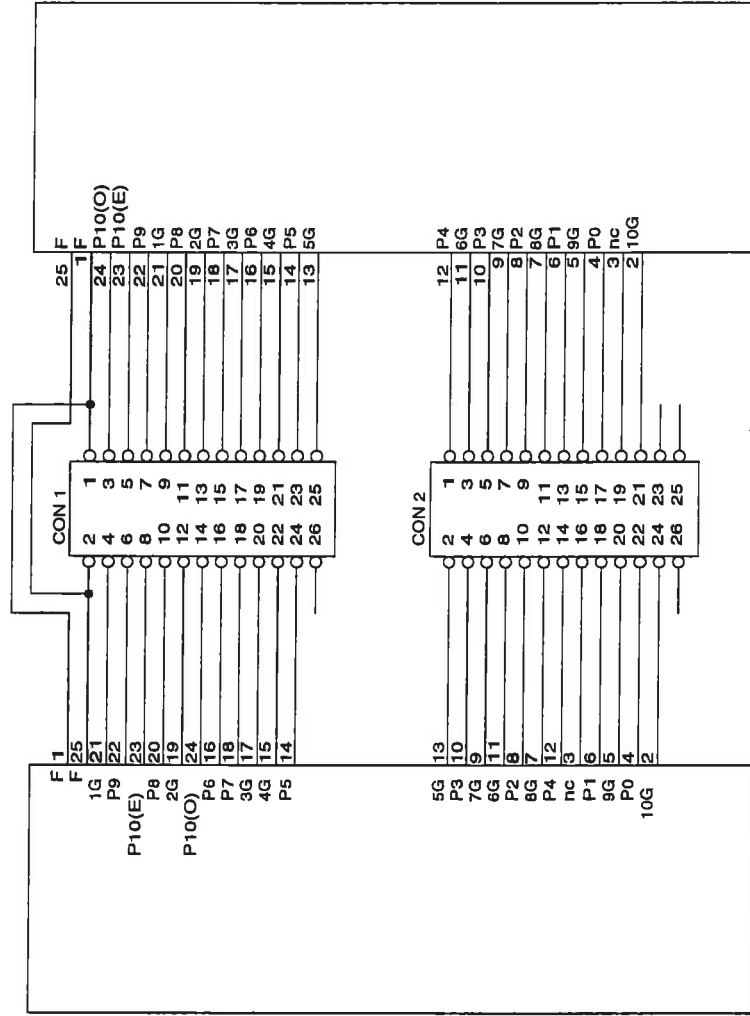
ALL DECOUPLING CAPACITORS TO BE 47NF

DDA Ltd
 UNIT 1, INWOOD BUSINESS PARK
 WHITTON ROAD
 HOUNSLOW
 MIDDLESEX TW3 2EB

TH1e	BARGRAH MICROPROCESSOR AND REGULATORS
Size	Document Number
B	CD 1075
Date:	April 27, 1984
Sheet	1 of 1
REV	3

LEFT METER

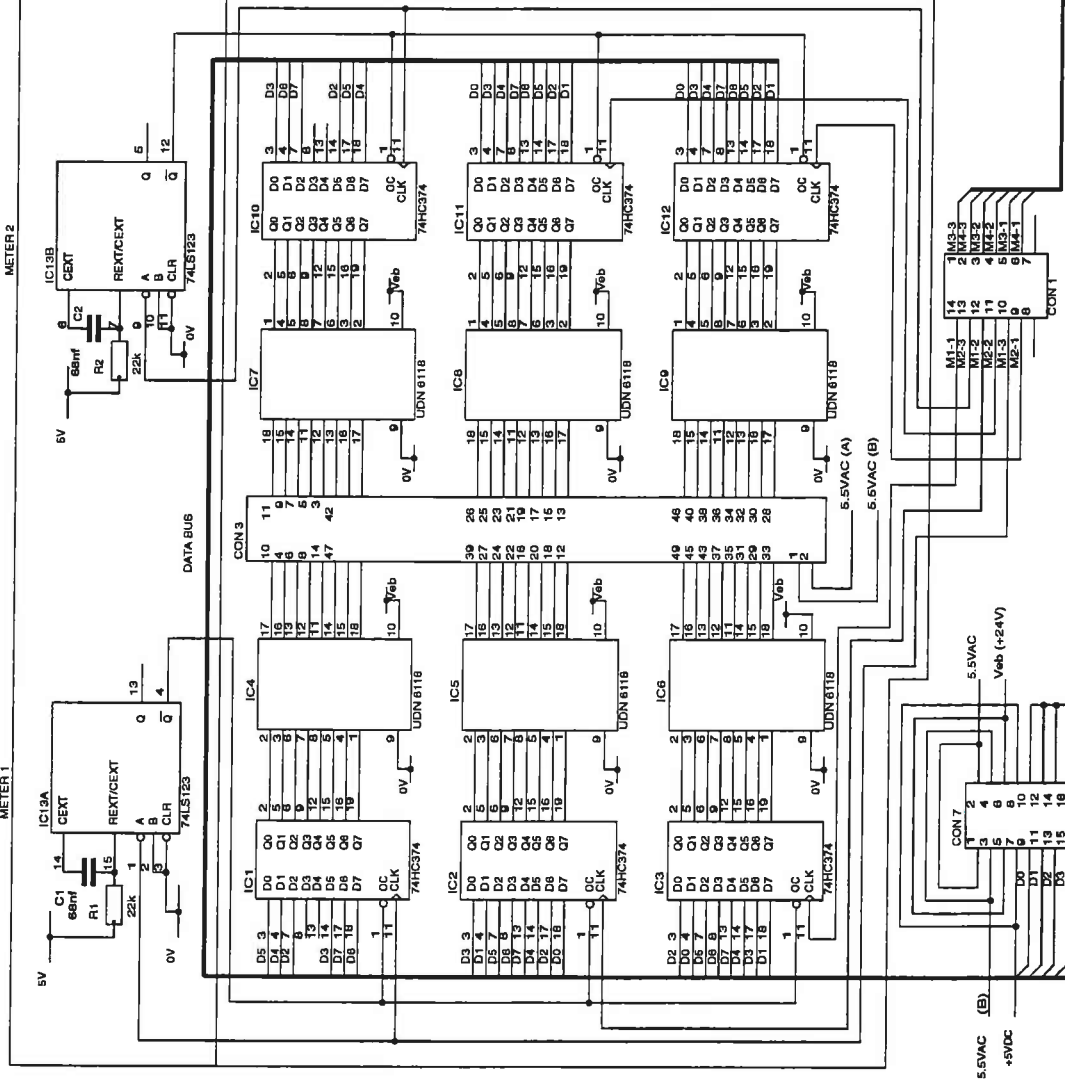
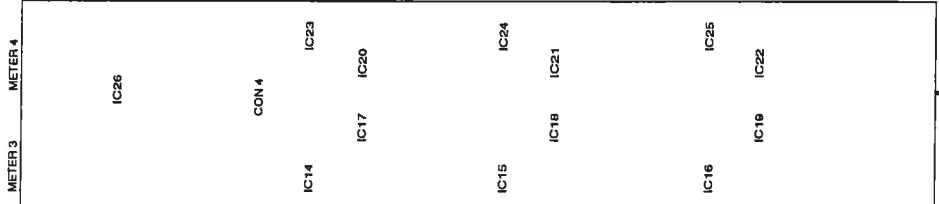
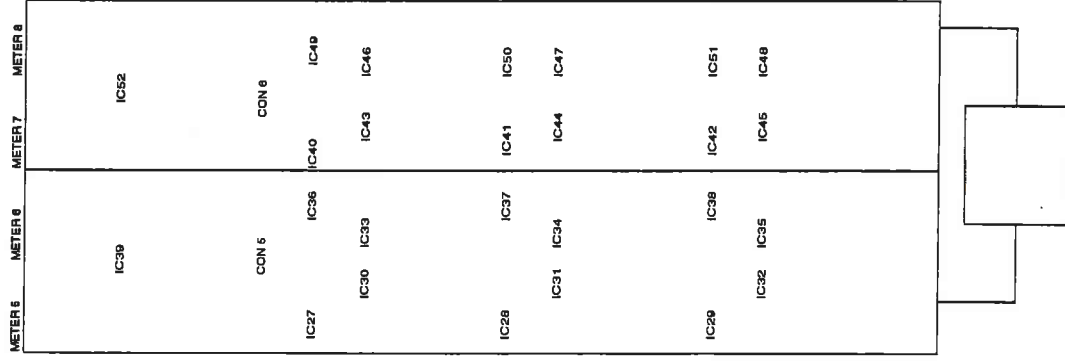
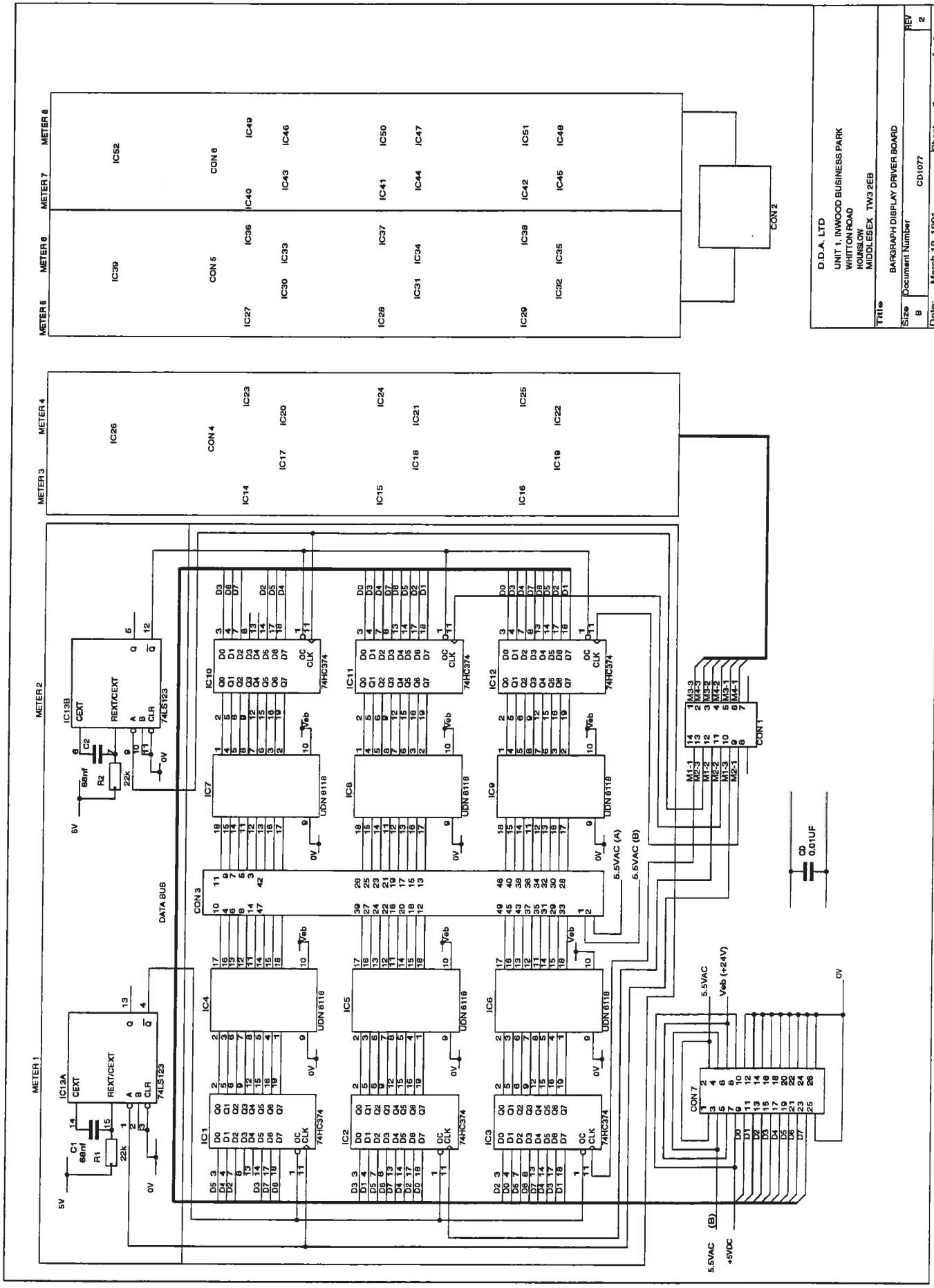
RIGHT METER



FIP101B8AY

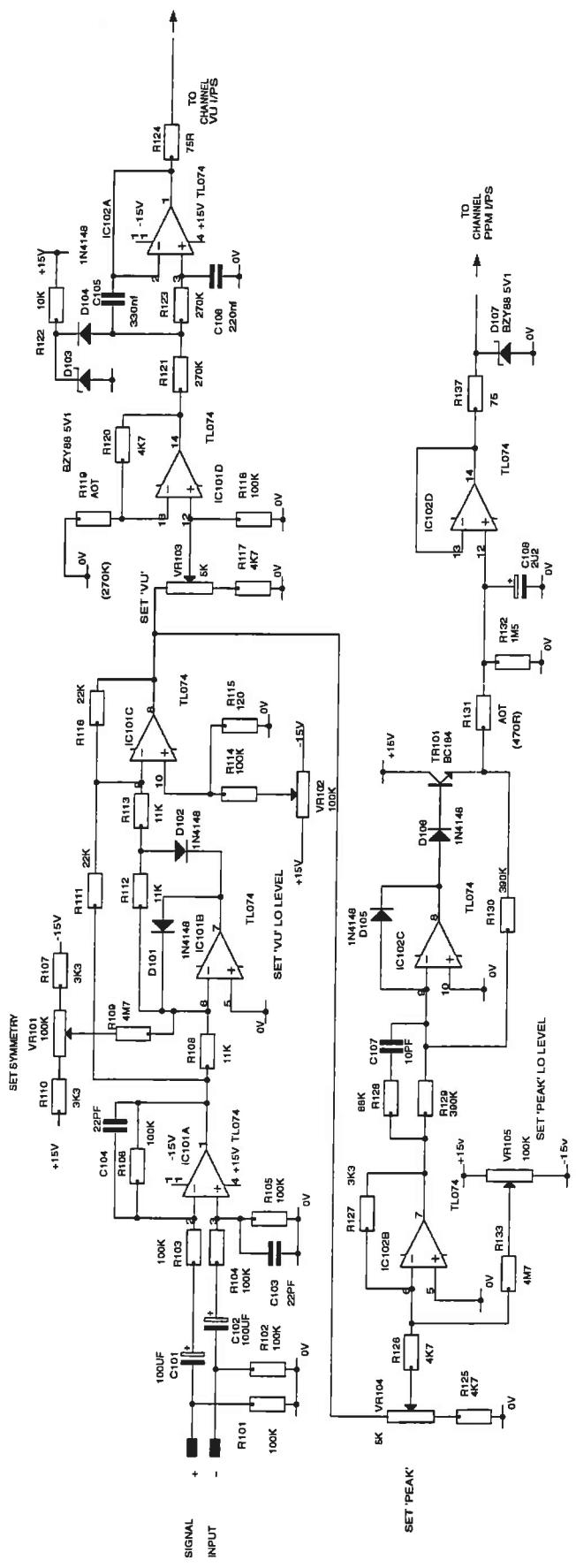
FIP101B8AY

DDA LTD. UNIT 1, INWOOD BUSINESS PARK WHITTON ROAD HOUNSLOW MIDDLESEX TW3 2EB	
Title BARGRAPH DUAL DISPLAY BOARD	
Size A	Document Number CD1076
Date: January 20, 1989	Sheet 1 of 1
REV	



D.D.A. LTD
 UNIT 1, INWOOD BUSINESS PARK
 WHITTON ROAD
 HOUSLOW
 MIDDLESEX TW3 2EB

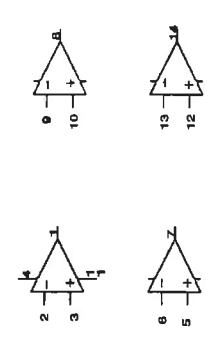
Title: BARGRAPH DISPLAY DRIVER BOARD
 Size: Document Number CD1077
 Date: March 18, 1991 Sheet 1 of 1



Pinout for TL074 channels 1-4 and 5-8

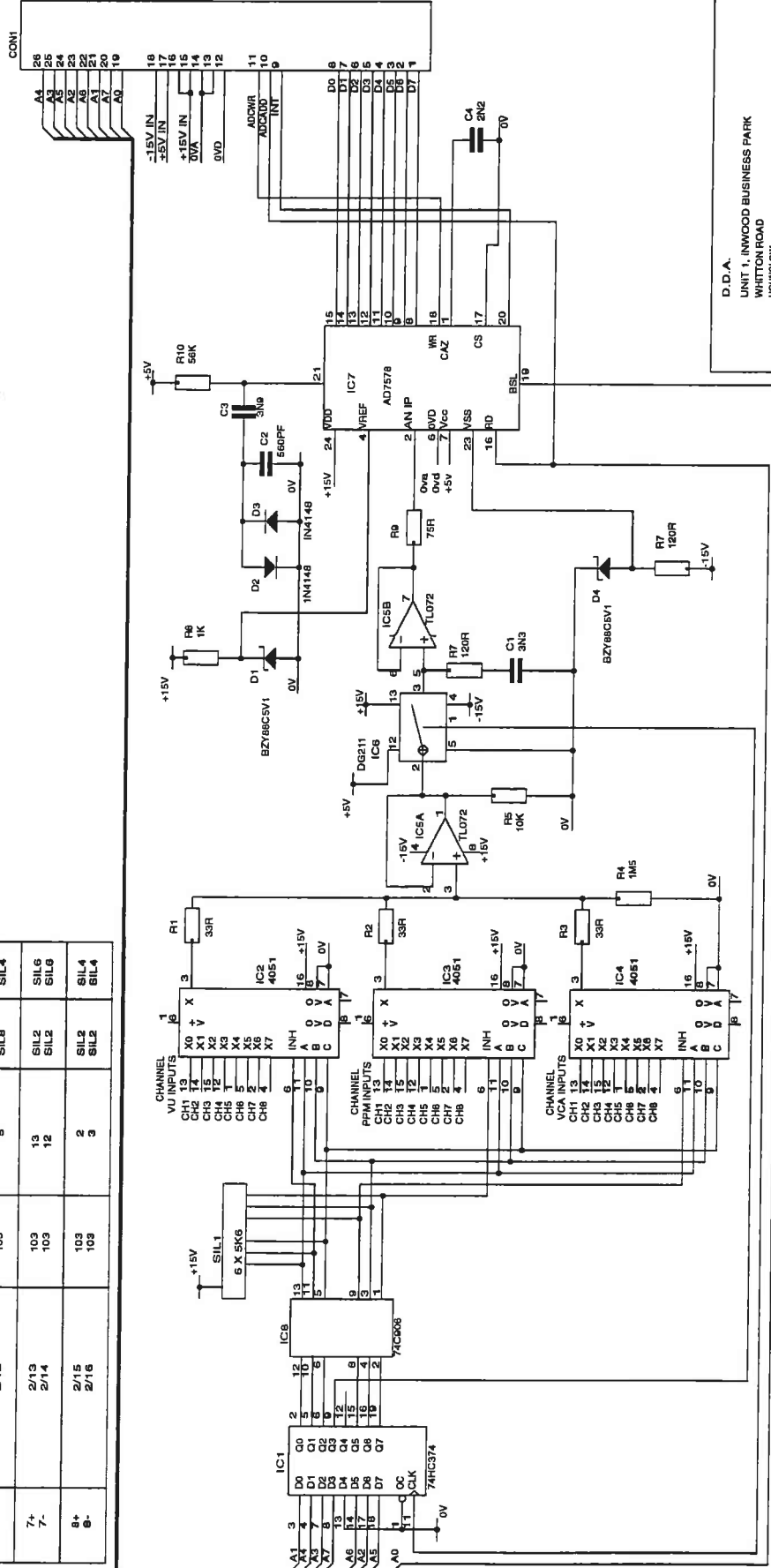
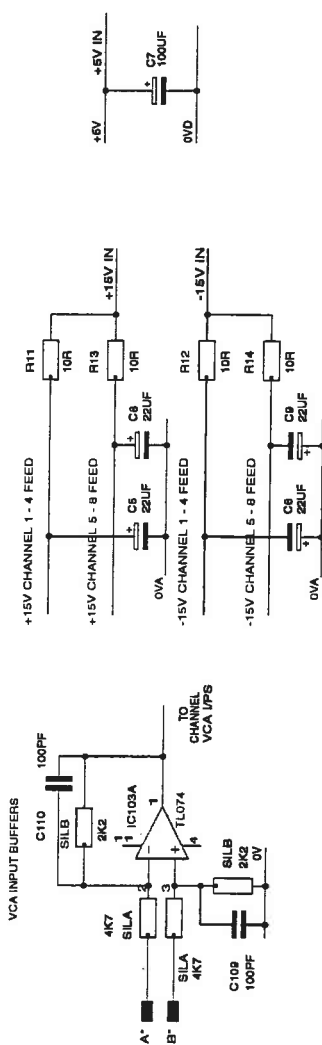
CIRCUITRY IS COMMON FOR ALL 8 CHANNELS
 SIGNAL INPUTS FOR CHANNELS 1 - 4 ARE CONNECTED VIA CON4
 THE HUNDREDS' PART OF THE COMPONENT NUMBER INDICATES THE CHANNEL THAT IT IS ASSOCIATED WITH ON THE PCB
 THE CIRCUIT SHOWN ABOVE IS FOR CHANNEL 1
 The IC pin numbers are correct for channels 1 - 4 only. For channels 5 - 8 use the conversions shown on the right.

CHANNEL	CONNECTOR	PIN NO.
1+	3	1
1-	2	2
2+	3	3
2-	4	4
3+	3	5
3-	3	6
4+	3	7
4-	4	8
5+	4	1
5-	2	2
6+	4	3
6-	4	4
7+	4	5
7-	4	6
8+	4	7
8-	4	8



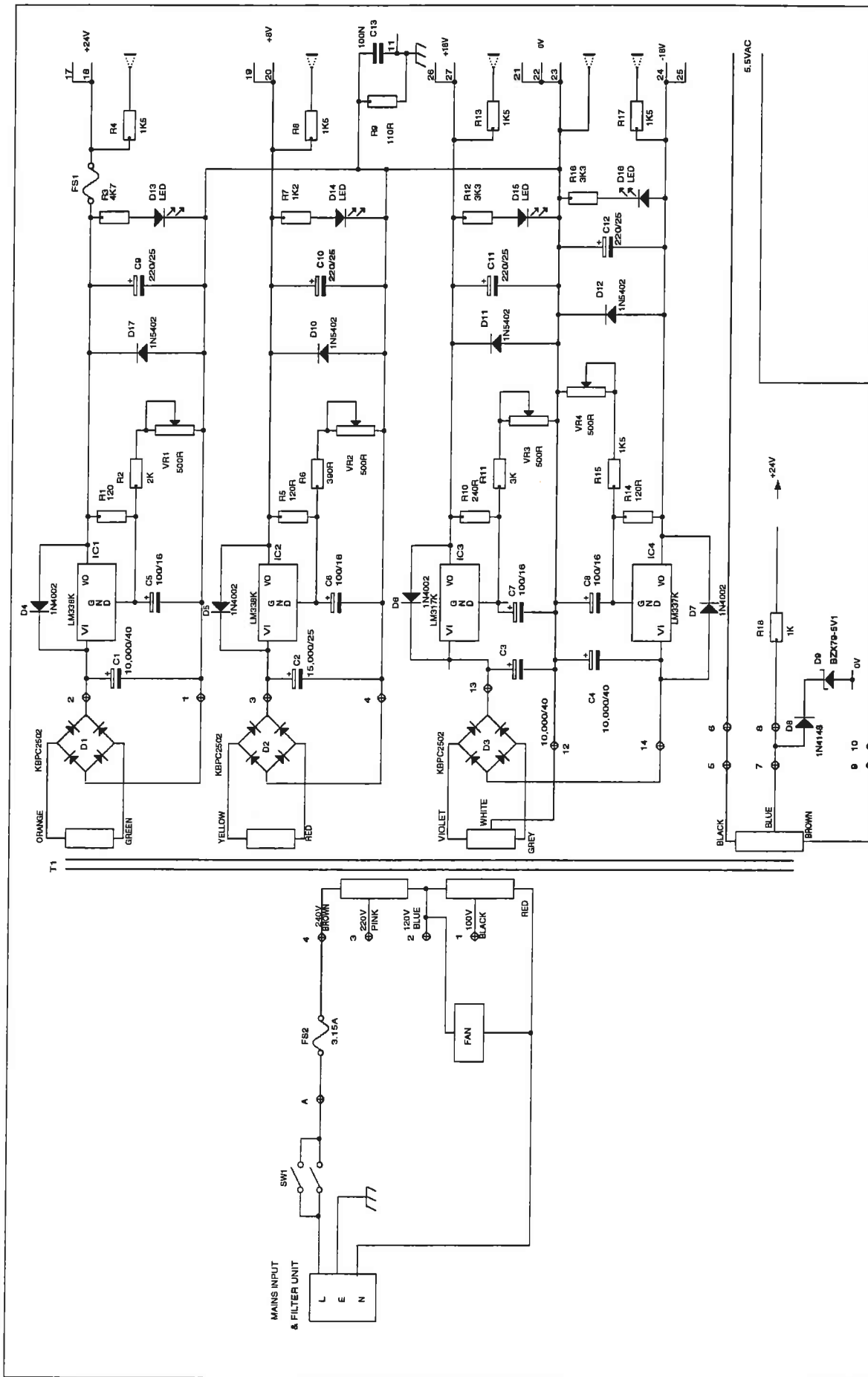
VCA CHANNELS AND ASSOCIATED COMPONENTS

CHANNEL	CONNECTOR/PIN NO.	IC NO.	IC PIN NO.	SILA	SILB
1+ 1-	2/1 2/2	104 104	10	SIL9 SIL8	SIL7 SIL7
2+ 2-	2/3 2/4	104 104	6	SIL9 SIL8	SIL5 SIL5
3+ 3-	2/5 2/6	104 104	13 12	SIL3 SIL3	SIL7 SIL7
4+ 4-	2/7 2/8	104 104	2 3	SIL3 SIL3	SIL5 SIL5
5+ 5-	2/9 2/10	103 103	9 10	SIL8 SIL8	SIL6 SIL6
6+ 6-	2/11 2/12	103 103	6 5	SIL8 SIL8	SIL4 SIL4
7+ 7-	2/13 2/14	103 103	12 12	SIL2 SIL2	SIL6 SIL6
8+ 8-	2/15 2/16	103 103	2 3	SIL2 SIL2	SIL4 SIL4



D.D.A.
 UNIT 1, INWOOD BUSINESS PARK
 WHITTON ROAD
 HOUNSLOW
 MIDDLESEX TW3 2EB

Title: BAROGRAPH ANALOGUE BOARD: MPU I/F & VCA I/PS
 Size: Document Number
 B: CD1079
 Date: April 29, 1994
 Sheet 2 of 2



D.D.A. LTD.
 UNIT 1, INWOOD BUSINESS PARK
 WHITTON ROAD
 MIDDLESEX TW9 2EB

Title: BARGRAFH POWER SUPPLY
 Size: B
 Document Number: CD1081
 Date: April 27, 1994 Sheet 1 of 1

